



PROJECT		REF		REV	ITEM CODE	
LOCATION		DATE			PAGE	

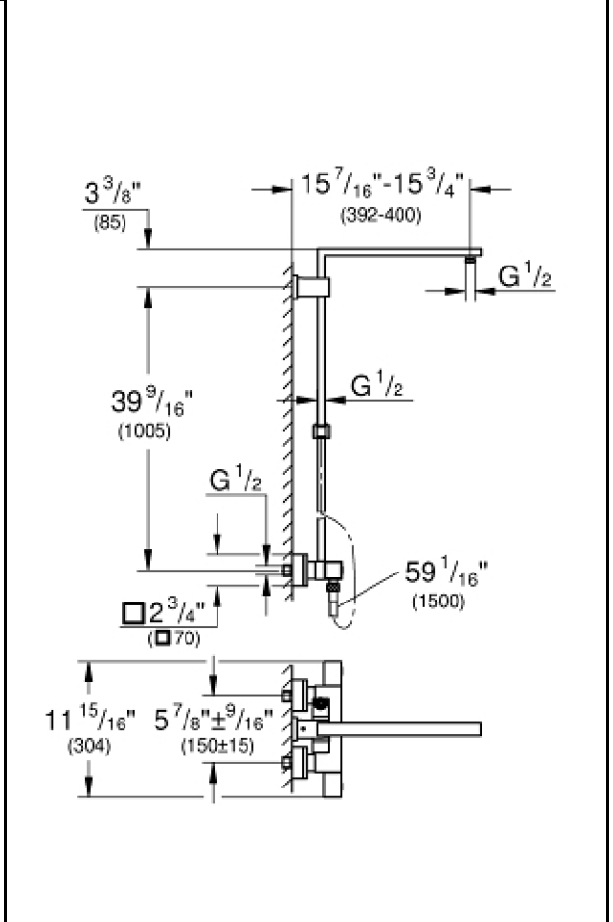
SANITARY WARE SPECIFICATION SHEET

Item Descriptions	GROHE (Germany) "Euphoria Cube" Wall-mounted shower system with thermostatic mixer; not including showerhead and hand shower
Dimensions	L400 x W304 x H1090 mm
Model	26420000
Finish	Chrome Plated
Country of origin	Germany
Manufacturer	GROHE Limited
Supplier	Acme Sanitary Ware Co. Ltd Mr. Eric Wong/ Mr. Don Yuen
Contact Tel/Fax	(852) 2388-7171 / (852) 2710-8012
E-mail	acme@acmesanitary.com.hk
Website	www.acmesanitary.com.hk



"Euphoria Cube"
Shower system with thermostatic mixer for wall mounting

- Shower arm
- Projection 15 3/4"
- Exposed thermostat with Aquadimmer that diverts between hand shower and showerhead
- Showerhead and hand shower (not included)
- Bar with adjustable height hand shower holder
- Rotaflex shower hose (1500mm) (28 417)
- **GROHE TurboStat** Compact cartridge with wax thermoelement
- **GROHE StarLight** chrome finish
- Exposed thermostatic temperature control with SafeStop at 100°F / 38 °C
- Inner WaterGuide for a longer life
- Twistfree to prevent hose from twisting
- Min. recommended pressure: 15psi
- CALGreen compliant
- Included adaptors for easy installation (depth adjustable)
- Two discrete function (non-shared)



* All information of the above is for the reference only. No prior notice is made if any changes.



PROJECT		REF		REV	ITEM CODE	
LOCATION		DATE			PAGE	

SANITARY WARE SPECIFICATION SHEET



Constant water temperature thanks to reliable GROHE TurboStat technology

Our precise control technology ensures an instant water flow at the desired temperature and keeps it constant irrespective of any fluctuations in water pressure or supply.



GROHE SafeStop (Plus) – double scalding protection at 38°C and (optional) 43°C

Great for homes with children, this safety feature is set at 38°C, preventing you from turning up the water temperature too high. If desired, higher temperatures can be selected by pushing the button. Optional for extra safety: the easy-to-fit GROHE SafeStop Plus limiter ensures that the temperature does not exceed 43°C.



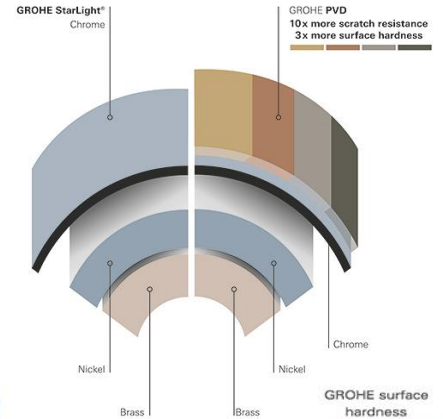
Easy to clean thanks to the GROHE StarLight chrome coating

Just wipe the tap down with a dry cloth – the ultra smooth surface finish is scratch resistant and ensures a lasting luminous sheen. You'll save plenty of time cleaning while your tap always looks shiny and new.



TwistFree – prevents your shower hose from twisting

TwistFree shower hoses are inspired by everyday experience: ever had to struggle with a twisted shower hose? TwistFree keeps your shower hose flexible and in shape, saving you that trouble.

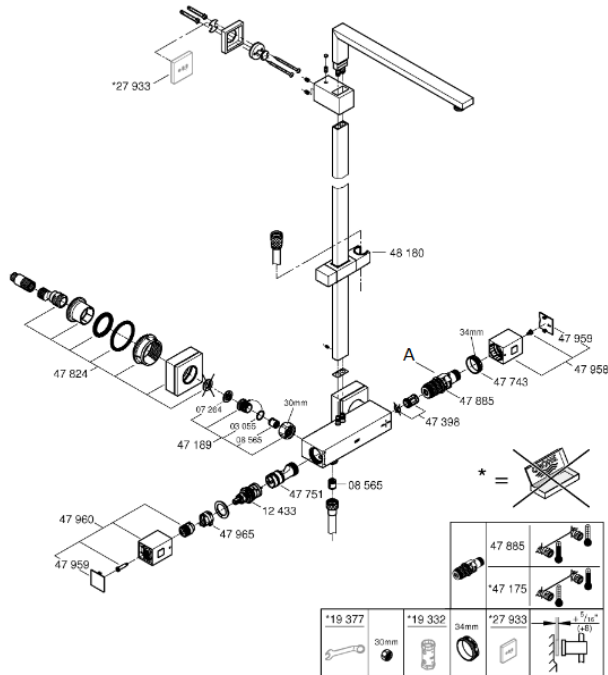


Chrome PVD

GROHE scratch resistance



Chrome PVD



Note:

* All information of the above is for the reference only. No prior notice is made if any changes.



Services Department

Centers

吉士打道七號入境事務大樓 48 樓

48/F, Immigration Tower, 7 Gloucester Road, Wan Chai, Hong Kong

本署檔號 : (2) in WSD 3321/2020 T/J(1081/2020)
Our ref.
來函檔號 :
Your ref.

電話 :
Tel.
傳真 : 2824 0578
Fax.


6 October 2020



Approval of "GROHE" Shower Mixer (General Acceptance No. C20200865)

Your letter ref. WRC/2312 dated 13 August 2020 refers.

Having considered the test report ref. J24940 issued on 31 December 2019 by Nutek Systems (HK) Ltd., this Authority accepts that the fitting described below complies with, and its use when correctly installed does not contravene, the Waterworks Ordinance and Regulations.

Name of Manufacturer: Grohe AG
Country of Origin: Germany
Brand: Grohe
Details of Fitting: 1/2" Wall mounted single lever shower mixer
Model: 26420XXX
(where the digits "XXX" denote the code of colour)
Body Markings: 
Expiry Date: 4 November 2024



This Authority hereby permits the use of the above fitting in fresh water plumbing systems subject to full adherence to Waterworks installation requirements. In particular, you are required to draw your customers' attention to the following requirement-

"The cold water supply to the fitting shall be drawn from the same source that supplies the hot water apparatus so as to provide a balanced pressure and to obviate the risk of scalding in the event of a restriction or failure in the water supply." AND

"The shower head or handspray should not be placed in submerged conditions and should be securely fixed to the original position after use."

A condition of this acceptance is that the fitting to be installed shall be replicas of the sample as certified by the testing agent mentioned above and without modifications. This acceptance may be withdrawn at any time if the standard of the fitting installed fail to meet that of the approved sample or if the fitting is found to be unsuitable for use in fresh water plumbing systems.

This acceptance is only applicable to the main body of the fitting, unless otherwise specified.

For the use of the fitting in any project, the General Acceptance Number of this letter must be quoted as a means of identification of acceptance of the fitting by this Authority.

Should you have any enquiries, please contact our Engineer Mr. Terry KUNG at tel. no. 3583 4086.

Yours faithfully,



(CHAN Chung-kun)

for Director of Water Supplies

Encl.

c.c. WSD 3321/1/82] - without catalogue
ME/MC] - with soft copy only